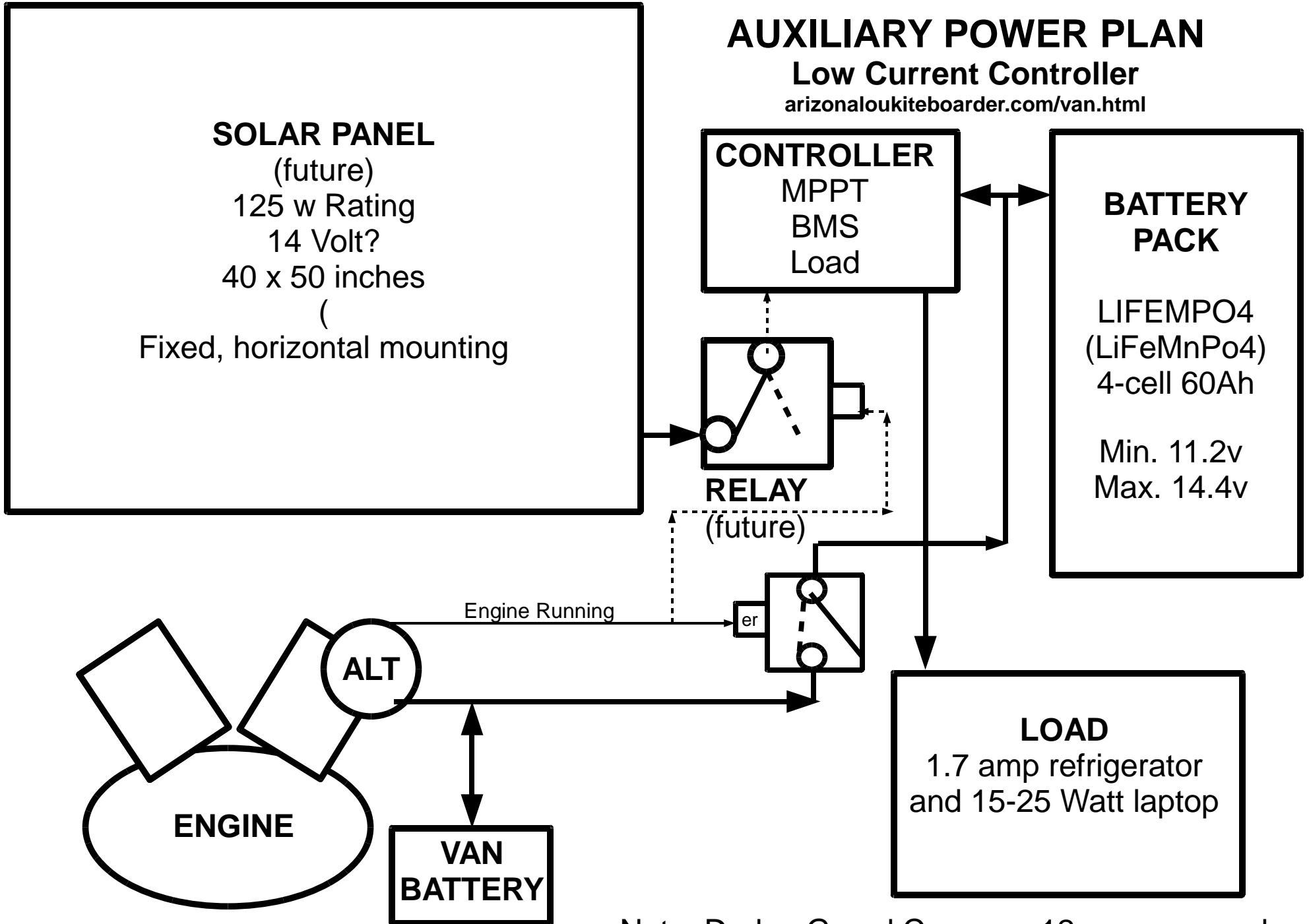


# AUXILIARY POWER PLAN

Low Current Controller

[arizonaloukiteboarder.com/van.html](http://arizonaloukiteboarder.com/van.html)



Louis Self, Phoenix, AZ

Note: Dodge Grand Caravan; 12v neg. ground;  
drive about 5 miles a day; 30-35 deg. latitude